

FLEX HEAD
FLEXIBLE HEAD SYSTEM FOR ANCHOR BARS

FLEX HEAD is a flexible head system for self-drilling anchor bars (hollow bars) used in rockfall protection. The system works whenever the direction of the pull-out force is variable or inclined to the anchor bar axes. Flex Heads are commonly used in combination with self-drilling anchor bars (hollow bars) for top anchors in drapery systems and flexible structural facings requiring meshes and rockfall barrier foundations.

Standards for materials:

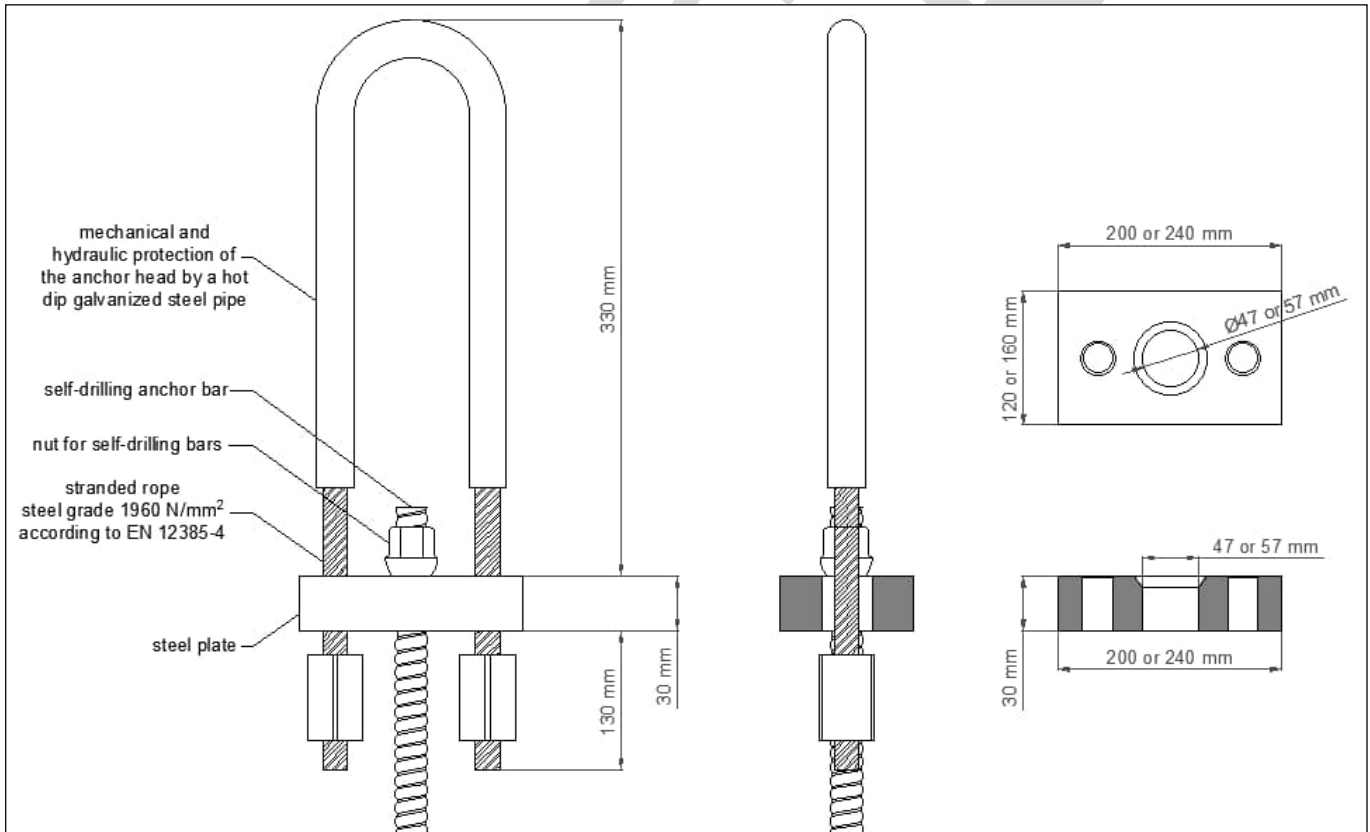
EN 12385-4 "Steel wire ropes - Safety Part 4: Stranded ropes for general lifting applications"

EN 10244-2 "Steel wire and wire products - Non-ferrous metallic coatings on steel wire"

FLEX HEAD CHARACTERISTICS

Type	Rope diameter	Rope construction (EN 12385-4)	Flex Head Minimum breaking load ^(*)	Rope corrosion protection	Steel plate dimensions (L x W x T)	Steel plate corrosion protection	Weight
FH570-47	22 mm	6x19 + WSC	570 kN	Class A Zinc90/ Aluminum10 coating	200x120x30 mm	Hot dip galvanized according to ISO 1461	8.50 kg
FH570-57	22 mm	6x19 + WSC	570 kN	Class A Zinc90/ Aluminum10 coating	240x160x30 mm	Hot dip galvanized according to ISO 1461	9.00 kg

^(*)Reduction safety factor of 1.35 is suggested to be applied in the design process according to Eurocode 3.



Flex Head typical drawings

WARNING: Install the product in accordance with National Security Requirements. If the job is done with suspension or security ropes, personal protective equipment against fall risk must be connected with anchor points in agreement with EN 795.

Maccaferri reserves the right to amend product specifications without notice and specifiers are requested to check as to the validity of the specifications they are using.